

OMT-3100AR / OMT-3300AR Single Board Computer

(ARM Cortex-A72 / Cortex-A35)

2x Cortex-A72 @ 2.0Ghz

OM3100



OMT-3100AR



4x Cortex-A35 @ 1.3Ghz

OM-3300



OMT-3300AR



H310
HDMI
Input
Module



H330
LVDS
Display
Module



D120
Quad
RS232
RS485
(isolation)

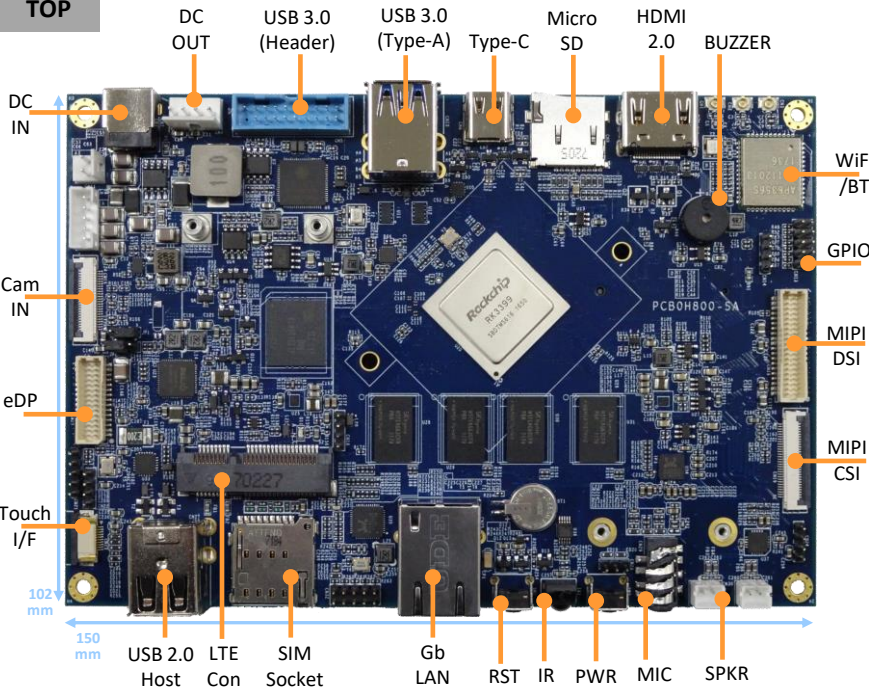


Typical Applications

- IOT Gateway
- Digital Signage
- Thin Client
- POS (Point of Sales)
- HMI
- Gaming Devices

OMT- 3100AR (Dual ARM Cortex-A72)

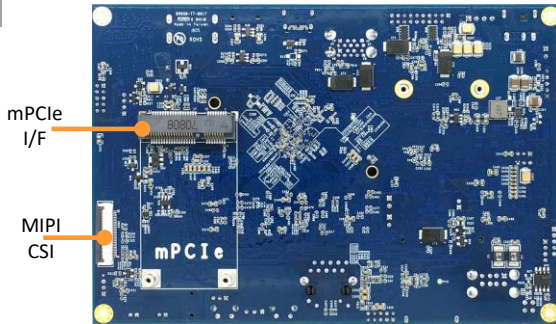
TOP



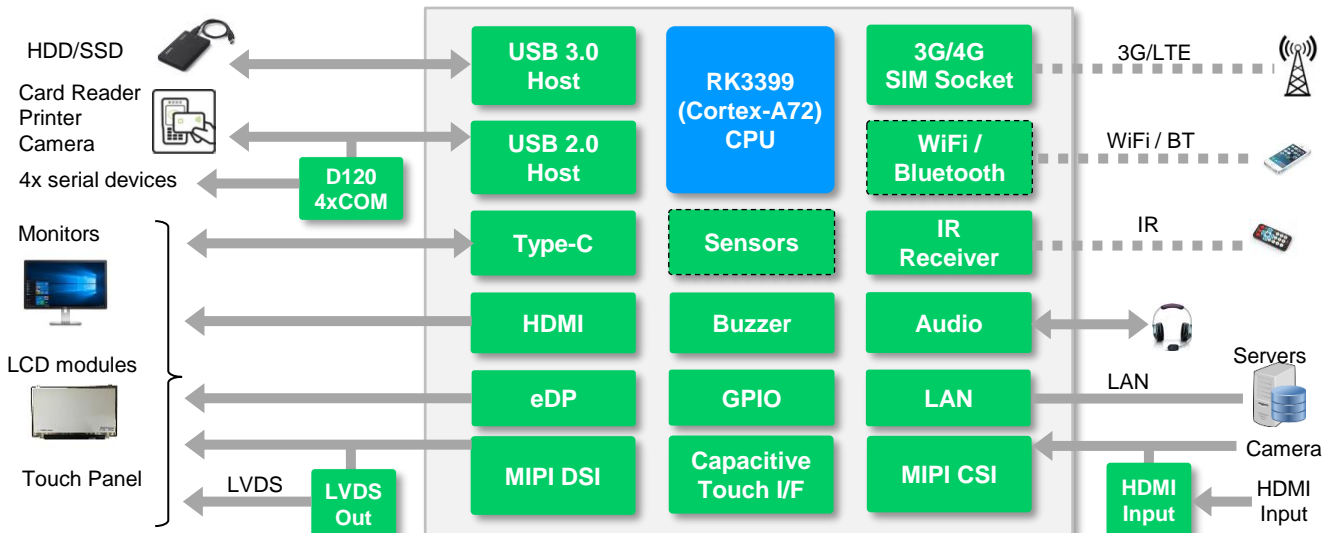
Features:

- Small size (150mm x102mm)
- 6 cores (2xCortex-A72+4xCortex-A53)
- Powerful ARM Cortex-A72 up to 2Ghz
- Multiple Display Interfaces
 - HDMI / DisplayPort
 - MIPI-DSI / eDP
- Touch screen interface
- 10/100/1000 Mbps Ethernet port
- 4x USB 3.0 Host / Type-C
- MIPI-CSI camera interface
- 12V-24V DC Input
- Support Android / Ubuntu / Debian

BOTTOM



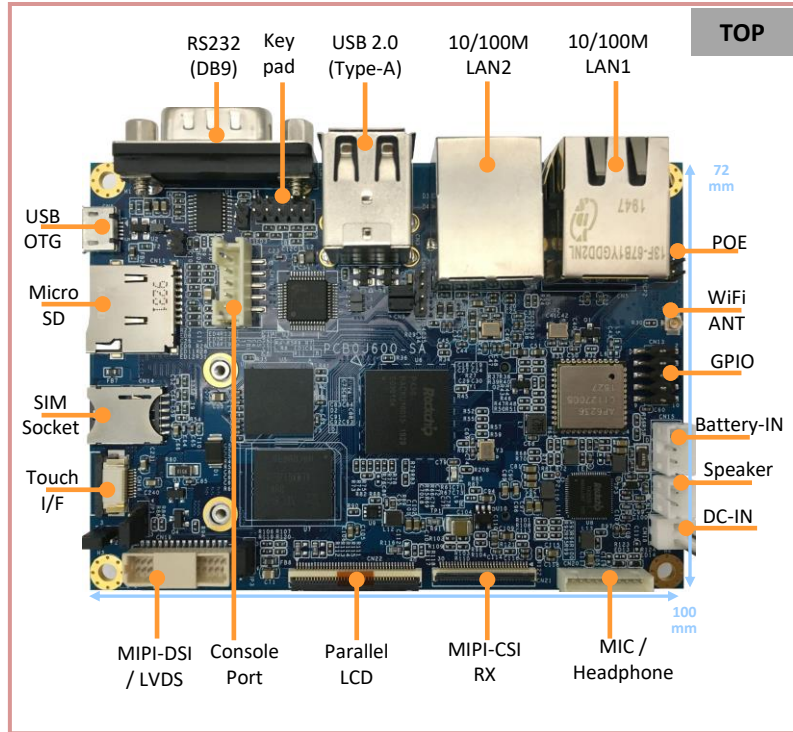
- EC3100 (SBC3100 with aluminum case)
- Dim: 179 x 105 x 33 mm



OMT- 3300AR (Quad ARM Cortex-A35)

Features:

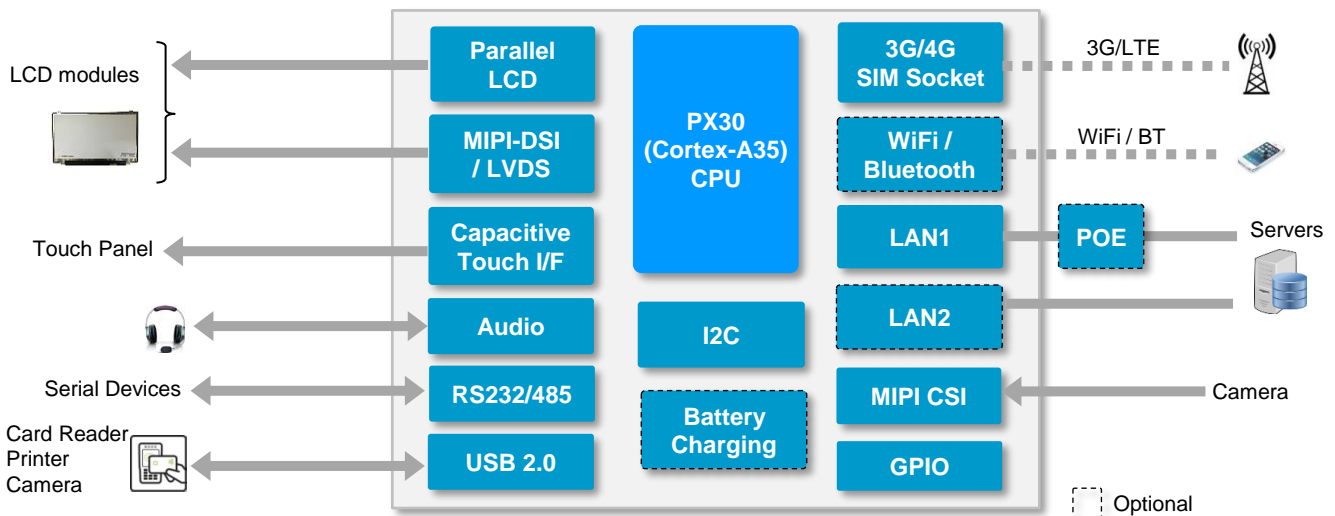
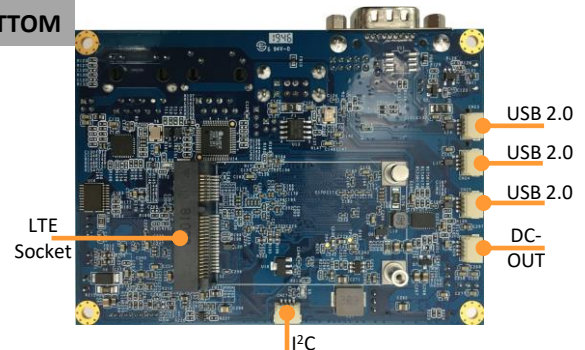
- Tiny size (100mm x72mm)
- Quad (64-bit) Cortex-A35 up to 1.3Ghz
- Dual Display Interfaces
- Touch screen interface
- Dual 10/100Mbps LAN ports (LAN2 optional)
- 5x USB 2.0 Host ports
- 2x RS232 (or RS485) port
- 8-bit GPIO
- 12V DC Input
- Support POE (Power Over Ethernet) (optional)
- Support Battery Charging (optional)
- Wide Temp Range (-20°C to 70°C)
- Support DIN Rail Mounting (EC3300)



- OM3300 (OMT-3300AR with aluminum case)
- Dim: ?? x ?? x ?? mm



BOTTOM



OMT- 3100AR / OMT- 3300AR Specifications

Specifications:

	OMT- 3100AR	OMT- 3300AR
CPU	Rockchip RK3399 (2x ARM Cortex-A72 + 4x ARM Cortex-A53)	Rockchip PX30K (4x ARM Cortex-A35)
OS	Android / Ubuntu 16 / Debian	Android 9.x / Ubuntu 18
RAM / Flash	DDR 2GB / 4GB ; eMMC 8GB	DDR 1GB/2GB ; eMMC 8GB
Display Interface	1x HDMI 2.0 (4Kx2K @60fps) 1x DisplayPort 1.2 (4Kx2K @60fps) 1x eDP 1.3 (2560x1600 @60fps) 2x MIPI-DSI (2560x1600 @60fps)	1x TTL-RGB (1920x1080) 1x MIPI-DSI (1920x1080) 1x LVDS (1280x800)
Camera	1x MIPI-CSI	1x MIPI-CSI
Touch	1x Capacitive Touch Screen Interface (I ² C)	1x Capacitive Touch Screen Interface (I ² C)
Audio	1x mic/earphone con + 2x speaker con	1x mic/earphone con + 2x speaker con
USB 2.0 Host	2x USB 2.0 type-A + 1x USB 2.0 pin header	5x USB 2.0 host + 1x USB2.0 OTG
USB 3.0 Host	2x USB 3.0 type-A + 2x USB 3.0 pin header	- N/A -
Type-C	USB 3.0 OTG / DisplayPort 1.2	- N/A -
SD Card slot	1x microSD	- N/A -
Ethernet	1x 10/100/1000 Mbps (RJ-45)	LAN1: 10/100Mbps (optional) LAN2: 10/100Mbps
POE	- N/A -	(optional) external POE module to LAN1
WiFi/Bluetooth	(optional) WiFi 802.11 b/g/n/ac + BT 4.1	(optional) WiFi 802.11 bgn + BT 4.1
3G/LTE Modem	LTE socket (mPCIe) + SIM socket	LTE socket (mPCIe) + SIM socket
Sensor	(optional) 3-axis Accelerometer + 3-axis Gyroscope	- N/A -
Buzzer	1x Buzzer	- N/A -
GPIO	8-bit input/output	8-bit input/output
miniPCIe	1x MiniPCI-e socket	- N/A -
Console port	1x UART (console / debug)	1x UART (console / debug)
COM port	- N/A – (use D120 for 4xCOM port)	2x RS232 (or RS485)
I ² C / IR	1x I ² C master port + 1x IR receiver	1x I ² C master port
Mounting	<TBD>	(EC3300) Support DIN Rail Mounting
Power Input	DC 12V - 24V	DC 12V
Dimension	102 x 150 x 2.6 mm	<TBD>
Weight	129g (including heatsink)	<TBD>
Environment	<TBD>	<TBD>

Ordering Information

OMT- 3100AR / OM-3100 Ordering Information

Part No.	Enclosure	OS	RAM (DDR3)	G-sensor	Common Specifications
SBC3100-U-2G	NO	Ubuntu	2GB	NO	Rockchip RK3399 CPU 8GB eMMC HDMI / eDP / MIPI Touch interfaces (capacitive) Gigabit Ethernet Audio / GPIO MicroSD / mPCIe socket 3G/LTE socket / Buzzer USB2.0 Host / USB 3.0 Host USB 3.0 Type-C
SBC3100-A-2G		Android			
SBC3100-U-4G		Ubuntu	4GB	Yes	
SBC3100-A-4G		Android			
EC3100-U-2G	Aluminum	Ubuntu	2GB	NO	
EC3100-A-2G		Android			
EC3100-U-4G		Ubuntu	4GB	Yes	
EC3100-A-4G		Android			

Optional Products:

Part No.	Description
PWR-007-SBC	Power Adapter (+12V) + power cord
D120-SE	4x RS232/RS422/RS485 card with isolation
H330	LVDS Display I/F + MIPI cable + LVDS cable

Part No.	Description
H310	HDMI Input (Receiver) Module
LTE module	(Contact us for support list)
3G module	(Contact us for support list)

Note:

- (1). Not all models are available now. Contact us for any custom requirements.
- (2). D120, H310 and H330 modules are not available with standard EC3100 enclosure. Contact us for customized enclosure to include these modules.

OMT- 3300AR / OM-3300 Ordering Information

Part No.	Enclosure	OS	RAM (LPDDR3)	WiFi /BT	The 2 nd LAN	Common Specifications
SBC3300-U-1G	---	Ubuntu	1GB	---	---	Rockchip PX30 CPU 8GB eMMC Parallel LCD / LVDS Touch I/F (capacitive) 1x 10/100M LAN Audio / GPIO RS232 (or RS485) 3G/LTE socket USB 2.0 Host USB 2.0 OTG
SBC3300-A-1G		Android				
SBC3300-U-2G-MX		Ubuntu	2GB	YES	YES	
SBC3300-A-2G-MX		Android				
EC3300-U-1G	Aluminum	Ubuntu	1GB	---	---	
EC3300-A-1G		Android				
EC3300-U-2G-MX		Ubuntu	2GB	YES	YES	
EC3300-A-2G-MX		Android				

Optional Products:

Part No.	Description
PWR-008-SBC33	Power Adapter (+12V) + power cord
D120-SE	4x RS232/422/485 card with isolation

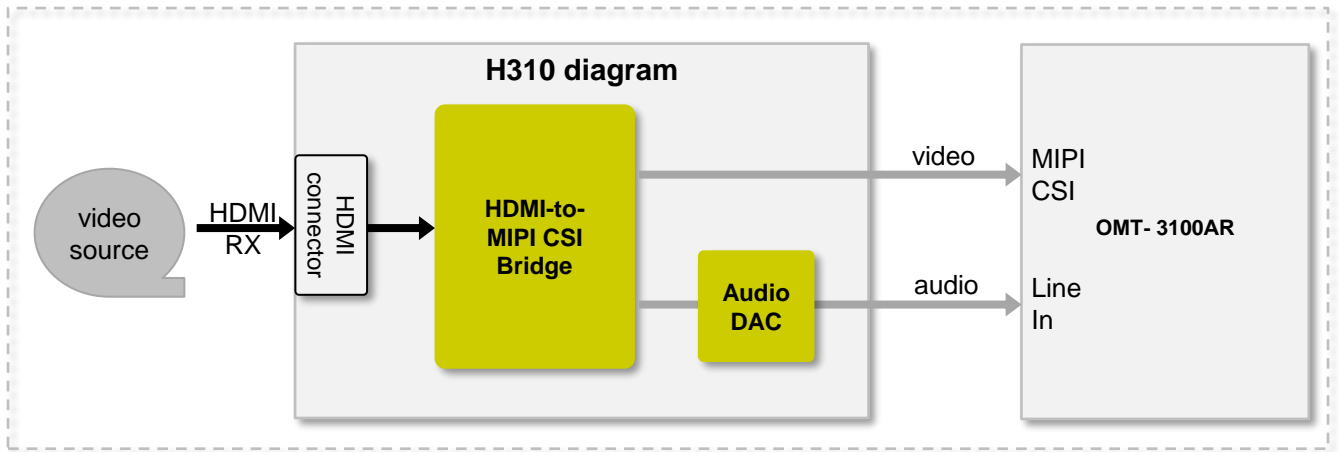
Part No.	Description
POE-MB-A01	10/100M Power Over Ethernet Module
LTE module	(Contact us for support list)

- * Not all models are available now. Contact us for any custom requirements: bigger flash size, the 2nd LAN, WiFi/BT, etc.

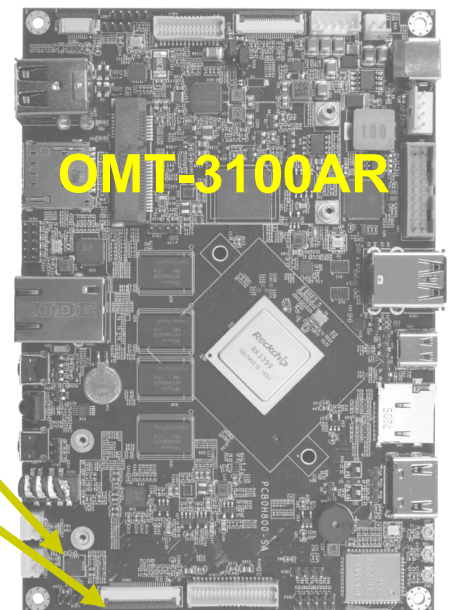
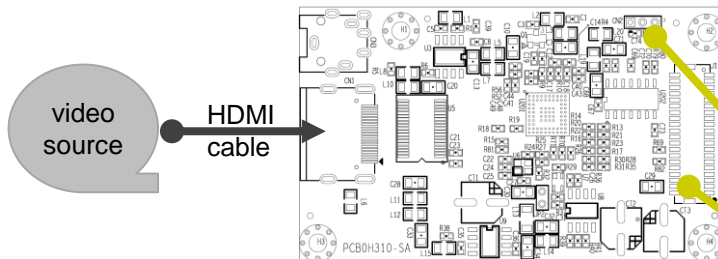
H310 (HDMI Input Module)

H310 Features:

- HDMI RX (receiver) interface
 - Support HDMI 1.4b standard
 - Video Input up to 1080p @ 60fps
- Video Output
 - MIPI CSI-2 compliant (version 1.1)
 - Up to 4 data lanes @ 1Gbps/lane
- Audio Output:
 - 24-bit I2S input
 - 2Vrms analog output (5V supply)
 - Sampling rate up to 192Khz
- Support video (H/V) scaling factors
- Dimension: <TBD>



H310 Module



H310 Ordering Information

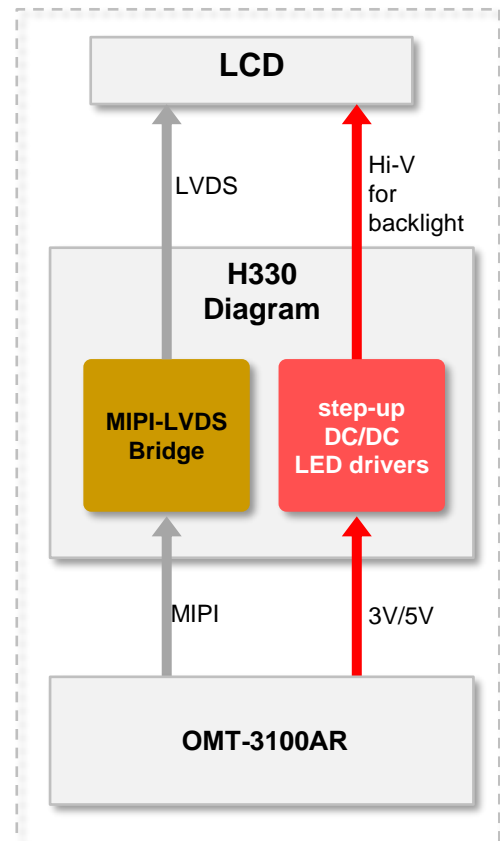
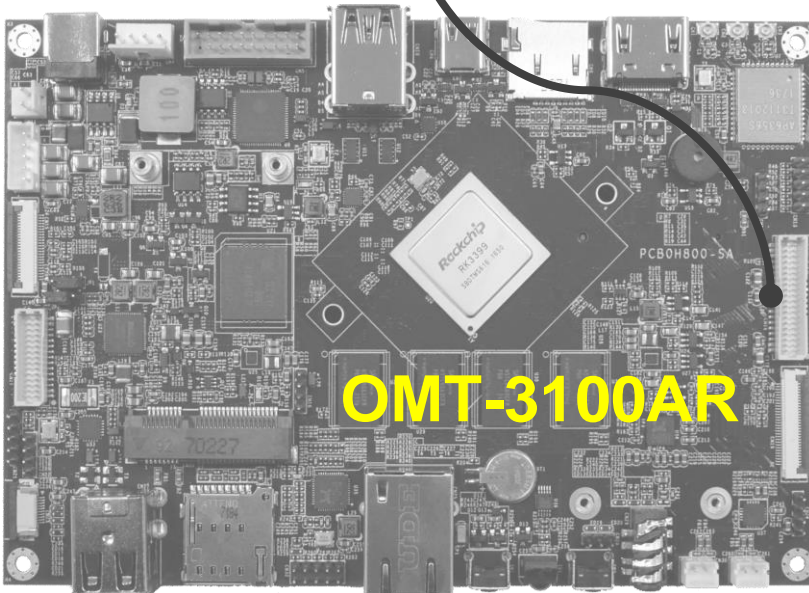
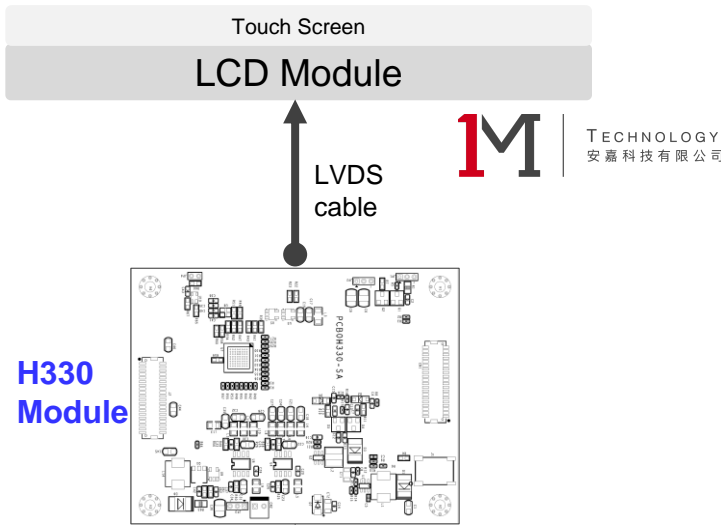
Part No.	Description
H310	HDMI Input Module (HDMI/MIPI-CSI bridge)

H330 (LVDS Display Module with LED driver)

H330 Features:

- LVDS Display Interface:
 - Input: 4-data-lane MIPI DSI
 - Output: 1600x1200/24-bit (single LVDS) or 1920x1080/24-bit (dual LVDS)
- LED Driver:
 - Input: 3.3V, 5V
 - Output: max. 30V for white LEDs
- Dimension: <TBD>

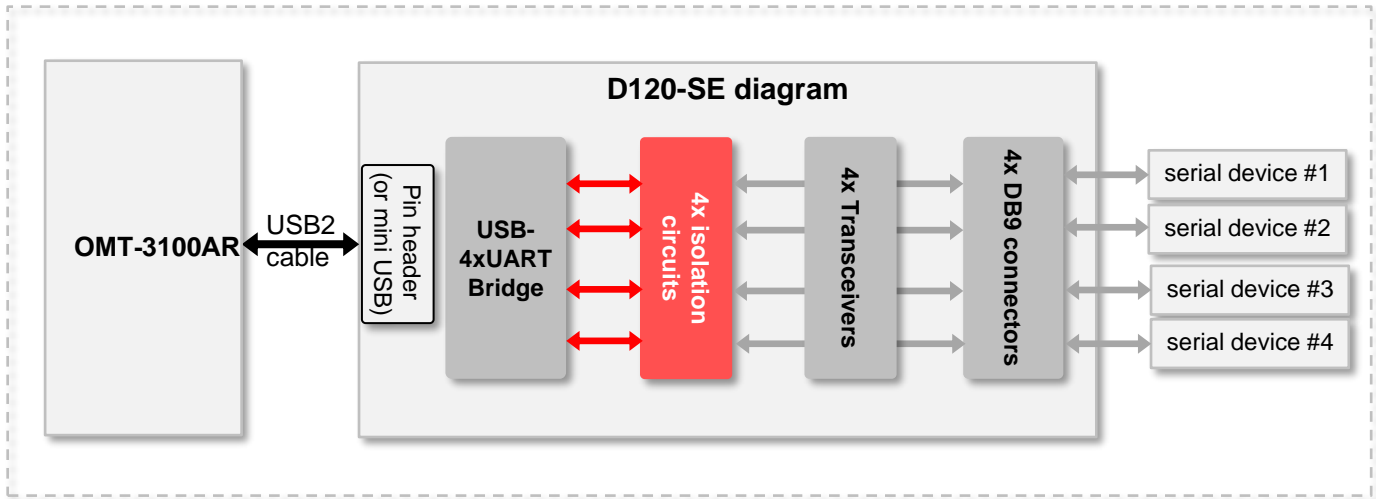
Note: H330 module requires customization on software, hardware and cables. Contact us for more information.



H330 Ordering Information

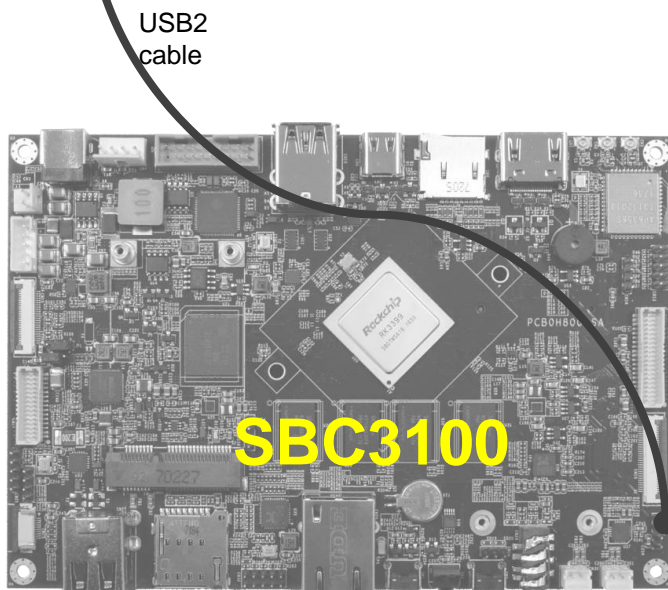
Part No.	Description
H330	LVDS Display interface + MIPI cable + LVDS cable

D120-SE (4x RS232/485 with isolation)



D120-SE Features:

- Connect to OMT-3100AR / OMT-2100AR USB2.0 interface
- For Linux, Android
- Standard DB9 connector
- 2.5KV isolation on each port
- Power isolation
- 2xLEDs for each port to display data TX/RX status
- Each port can be independently configured by jumper to support RS232 / RS422 / RS485 protocol
- RS232 (TXD, RXD, RTS, CTS)
- RS422 (TX+, TX-, RX+, RX-)
- RS485 (D+, D-): half duplex
- Compact size: 102 x 36mm



D120-SE Ordering Information

Part No.	Description
D120-SE	4x RS232/RS422/RS485 card with isolation