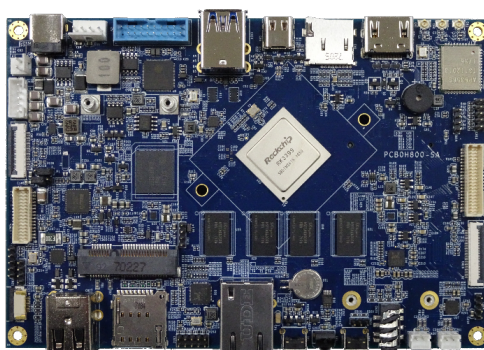


# OMT-3100AR (Cortex-A72) Single Board Computer

Ultra High Performance SBC with RK3399  
(Cortex-A72 x2 + Cortex-A53 x4) @ 2Ghz



- *OMT-3100AR: Single Board Computer*
- *H310: HDMI Input (receiver) Module*
- *H330: LVDS Output (display) Module*
- *D120: 4xCOM Port Module (Isolated)*

## Typical Applications

- ❑ Digital signage
- ❑ Thin Client
- ❑ POS (Point of sale)
- ❑ Set Top Box
- ❑ Gaming devices



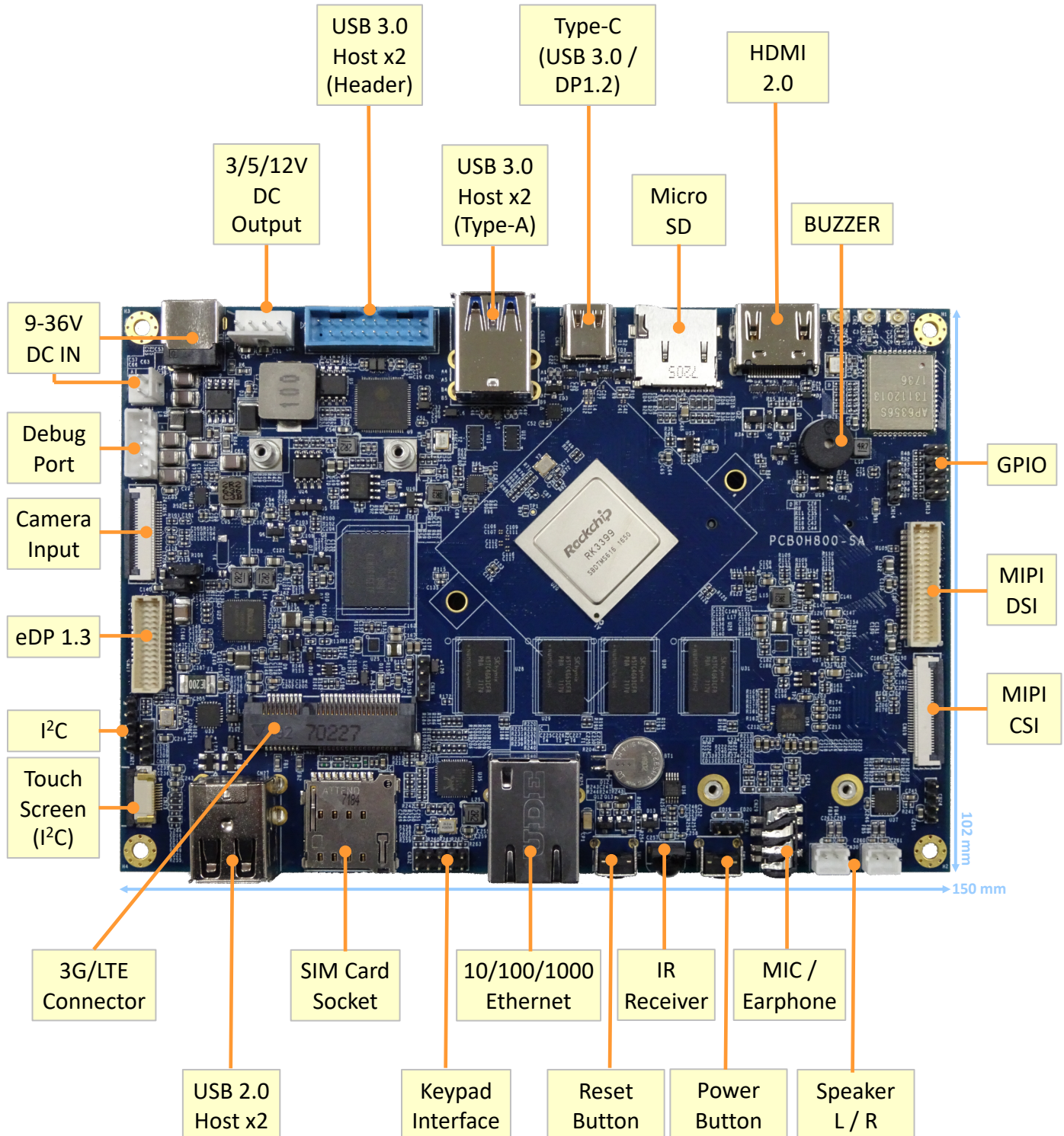
One Minute  
TECHNOLOGY  
萬分科技有限公司

[www.oneminute.com.tw](http://www.oneminute.com.tw)  
[info@oneminute.com.tw](mailto:info@oneminute.com.tw)



# OMT-3100AR (Dual ARM Cortex-A72)

## I/O and Functions:



# OMT-3100AR (Dual ARM Cortex-A72)

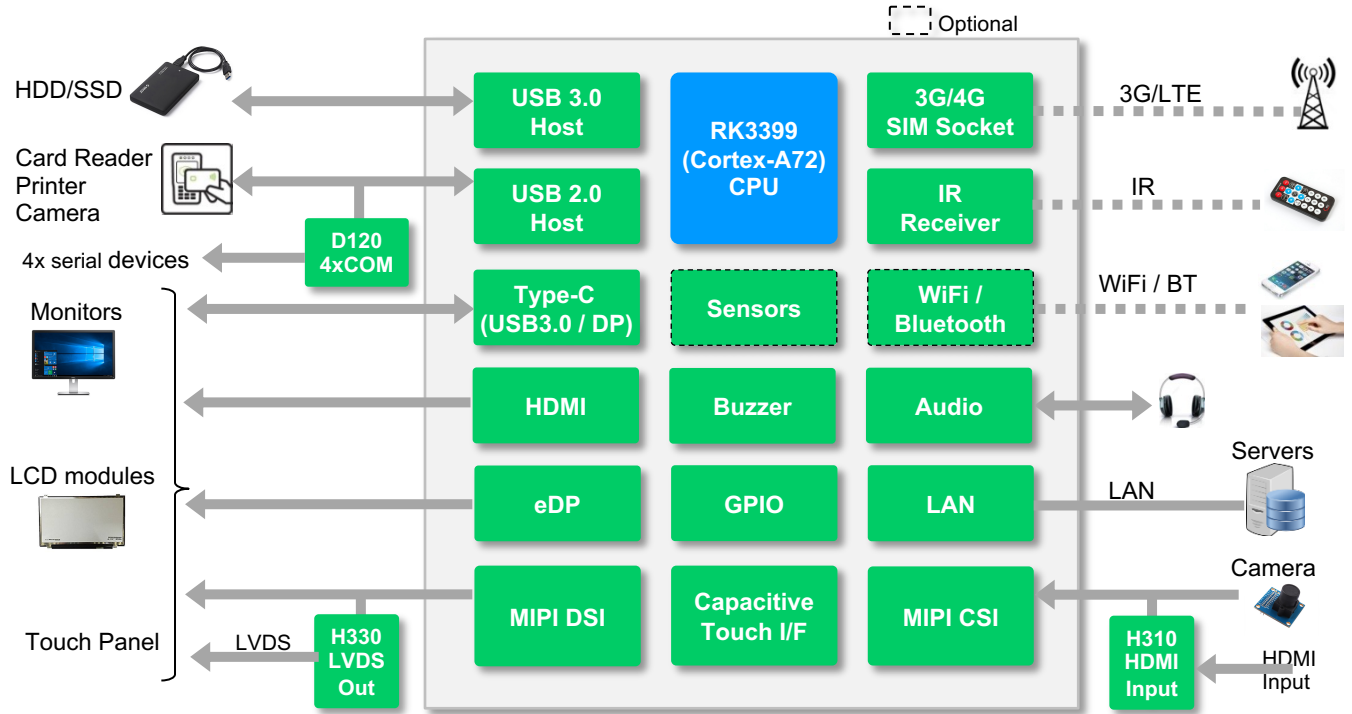
## Specifications:

	OMT-3100AR
CPU	Rockchip RK3399 (2x ARM Cortex-A72 + 4x ARM Cortex-A53)
OS	Android / Ubuntu
DDR RAM	1GB / 2GB / 4GB
Flash ROM	8GB / 16GB
Display Interface	1x HDMI 2.0 (4Kx2K @60fps)
	1x DisplayPort 1.2 (4Kx2K @60fps)
	1x eDP 1.3 (2560x1600 @60fps)
	MIPI-DSI (2560x1600 @60fps)
MIPI	1x CSI + 1x DSI + 1x (CSI or DSI)
Touch Interface	1x Capacitive Touch Screen Interface (I <sup>2</sup> C)
Audio Interface	1x mic/earphone combo connector + 2x speaker connector
USB 2.0 Host	2x USB 2.0 type-A + 1x USB 2.0 pin header
USB 3.0 Host	2x USB 3.0 type-A + 2x USB 3.0 pin header
Type-C	USB 3.0 OTG / DisplayPort 1.2
SD Card slot	1x microSD
Ethernet	1x 10/100/1000 Mbps (RJ-45)
WiFi/BT (optional)	WiFi 802.11 b/g/n + Bluetooth 4.0
3G/LTE Modem	3G/LTE socket (mPCIe form factor) + microSIM socket
Sensor (optional)	3-axis Accelerometer + 3-axis Gyroscope
Buzzer	1x Buzzer
GPIO	8-bit input/output
miniPCIe	1x MiniPCI-e socket
Console port	1x UART (console / debug)
I <sup>2</sup> C port	1x I <sup>2</sup> C master port
IR	1x IR receiver
Power Input	DC 9V - 36V
Dimension	102 x 150 x 2.6 mm
Weight	129g (including heatsink)
Environment	<TBD>



# OMT-3100AR (Dual ARM Cortex-A72)

## Block Diagram



## OMT-3100AR Ordering Information

(\*\* Note: Not all models are available now. Contact us for any custom requirements.)

Part No.	OS	RAM	Flash	USB Host	G-sensor	Common Specifications
OMT-3100AR-U-1G	Ubuntu	1GB DDR3	8GB	<b>USB2.0 Only</b>	<b>NO</b>	RK3399 CPU USB3.0 Type-C eDP / MIPI / HDMI / Touch interfaces (capacitive) Audio/ LAN / GPIO MicroSD / mPCIe socket 3G/LTE socket / Buzzer
OMT-3100AR-A-1G	Android					
OMT-3100AR-U-2G	Ubuntu	2GB DDR3	8GB	USB2.0 USB3.0	<b>NO</b>	
OMT-3100AR-A-2G	Android					
OMT-3100AR-U-4G	Ubuntu	4GB DDR3	8GB	USB2.0 USB3.0	Yes	
OMT-3100AR-A-4G	Android					

## Optional Products:

(\*\* Note: Not all models are available now. Contact us for any custom requirements.)

Part No.	Description
PWR-007-SBC	Power Adapter (+12V) + power cord
D120-SE	4x RS232/RS422/RS485 card with isolation
H330	LVDS Display I/F + MIPI cable + LVDS cable

Part No.	Description
H310	HDMI Input (Receiver) Module
LTE module	(Contact us for support list)
3G module	(Contact us for support list)



One Minute  
TECHNOLOGY  
萬分科技有限公司

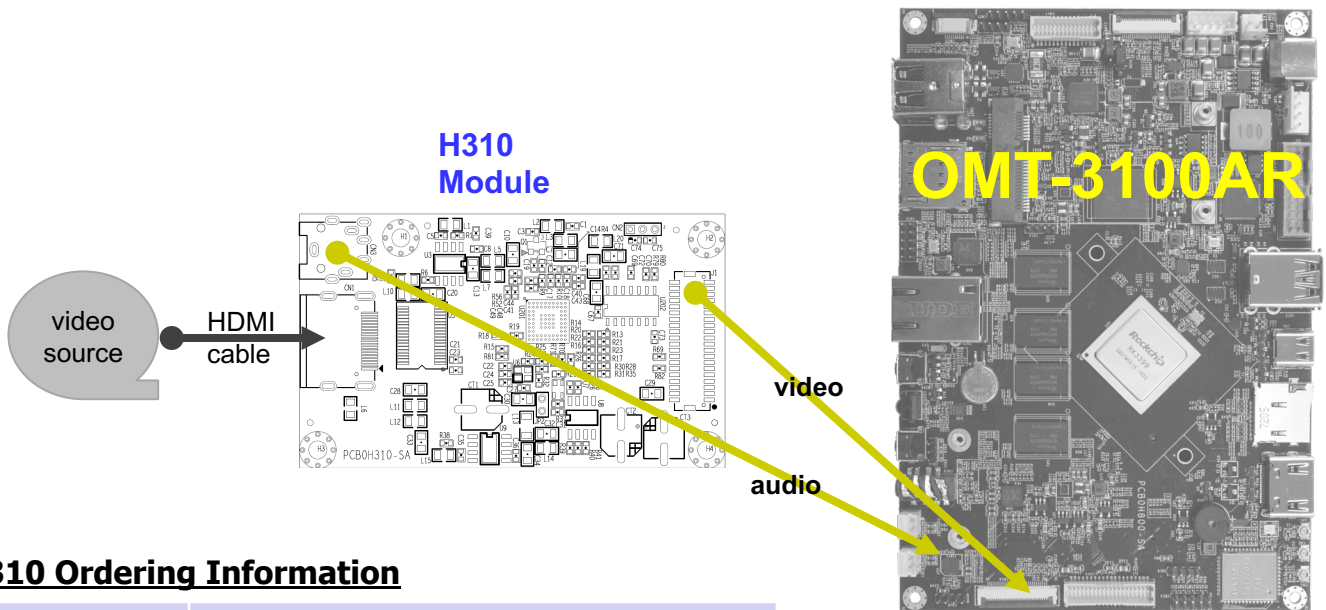
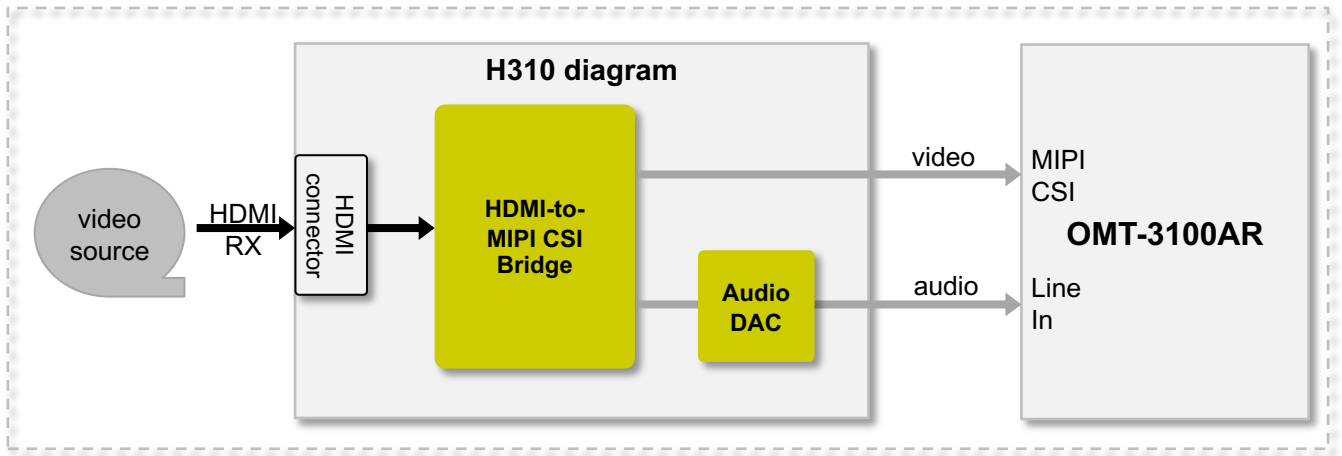
[www.oneminute.com.tw](http://www.oneminute.com.tw)  
[info@oneminute.com.tw](mailto:info@oneminute.com.tw)



# H310 (HDMI Input Module)

## H310 Features:

- HDMI RX (receiver) interface
  - Support HDMI 1.4b standard
  - Video Input up to 1080p @ 60fps
- Video Output
  - MIPI CSI-2 compliant (version 1.1)
  - Up to 4 data lanes @ 1Gbps/lane
- Audio Output:
  - 24-bit I2S input
  - 2Vrms analog output (5V supply)
  - Sampling rate up to 192Khz
- Support video (H/V) scaling factors
- Dimension: <TBD>



## H310 Ordering Information

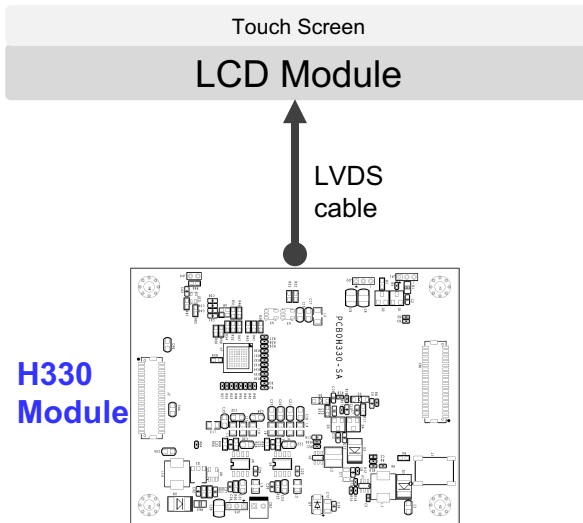
Part No.	Description
H310	HDMI Input Module (HDMI/MIPI-CSI bridge)

# H330 (LVDS Display Module with LED driver)

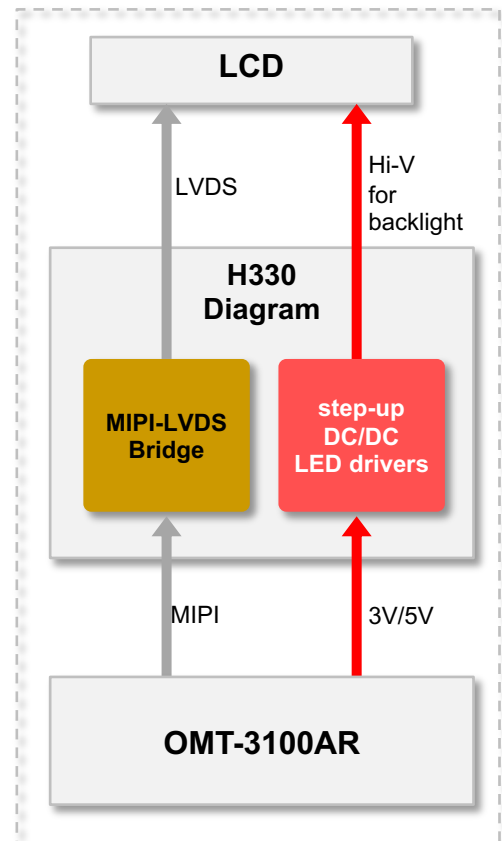
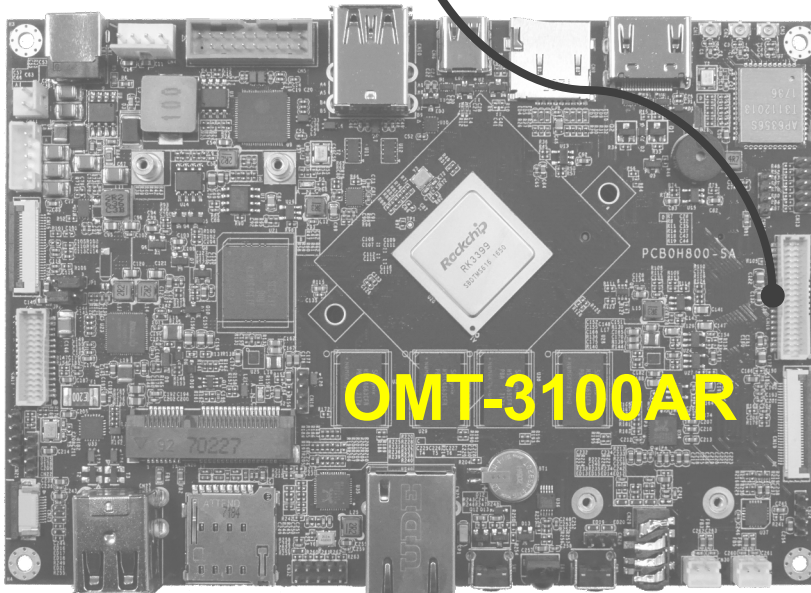
## H330 Features:

- LVDS Display Interface:
  - Input: 4-data-lane MIPI DSI
  - Output: 1600x1200/24-bit (single LVDS) or 1920x1080/24-bit (dual LVDS)
- LED Driver:
  - Input: 3.3V, 5V
  - Output: max. 30V for white LEDs
- Dimension: <TBD>

Note: H330 module requires customization on software, hardware and cables. Contact us for more information.



H330 Module



## H330 Ordering Information

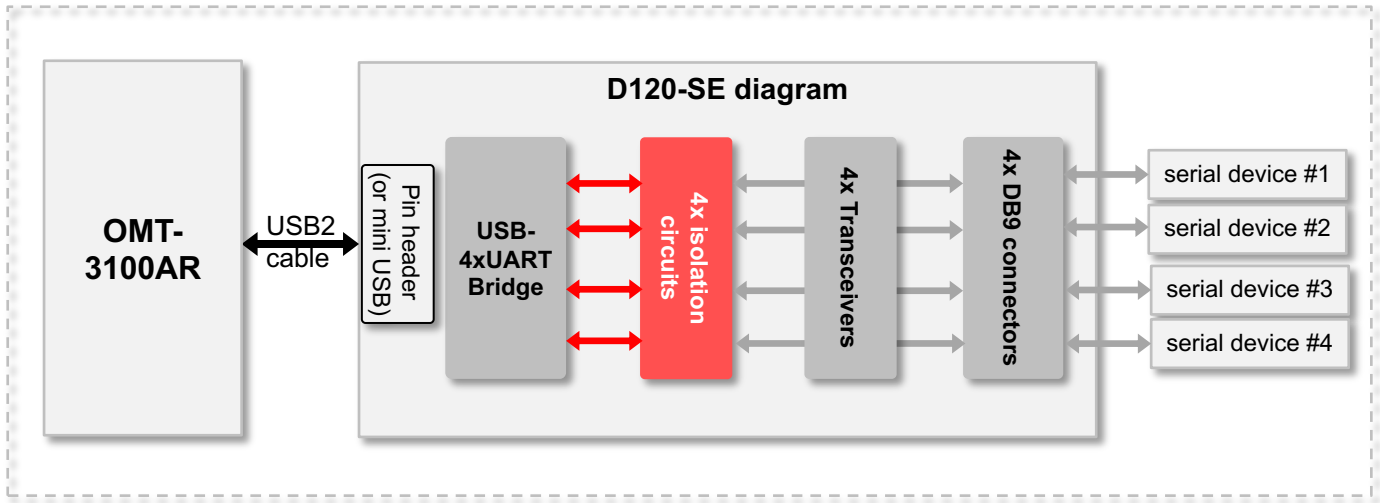
Part No.	Description
H330	LVDS Display interface + MIPI cable + LVDS cable



One Minute  
TECHNOLOGY  
萬分科技有限公司

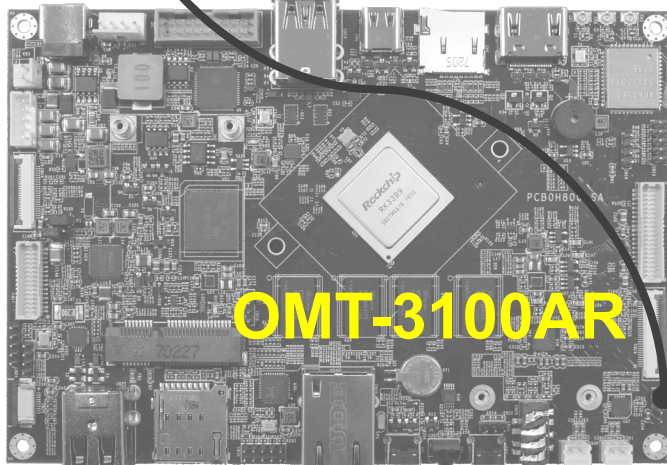
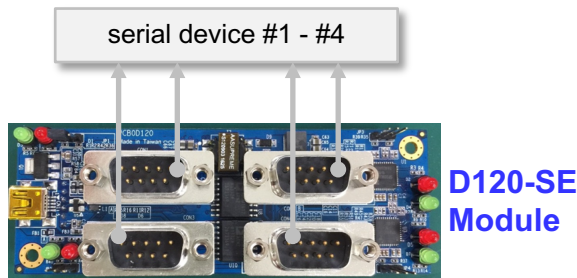
[www.oneminute.com.tw](http://www.oneminute.com.tw)  
[info@oneminute.com.tw](mailto:info@oneminute.com.tw)

# D120-SE (4x RS232/485 with isolation)



## D120-SE Features:

- Connect to OMT-3100AR / OMT-2100AR USB2.0 interface
- For Linux, Android
- Standard DB9 connector
- 2.5KV isolation on each port
- Power isolation
- 2xLEDs for each port to display data TX/RX status
- Each port can be independently configured by jumper to support RS232 / RS422 / RS485 protocol
- RS232 (TXD, RXD, RTS, CTS)
- RS422 (TX+, TX-, RX+, RX-)
- RS485 (D+, D-): half duplex
- Compact size: 102 x 36mm



## D120-SE Ordering Information

Part No.	Description
D120-SE	4x RS232/RS422/RS485 card with isolation

# Contact



Our headquarters office is located in Taipei, Taiwan which is also known as Silicon Valley of world as well as establishing an office located in San Jose, USA. One Minute Technology also has offices in China and Turkey to provide the best support to local as well as global customers.



## Taiwan

Phone: +886 989 475 595

Address: 4F., No. 17, Ln. 25, Wenhua St., Shulin Dist., New Taipei City 238, Taiwan (R.O.C.)

Tax No: 85077373



## Turkey

Phone: +90 535 540 89 29

Address: Cumhuriyet Mah. Kartal Cad. No.65 Kat.3 Kartal, Istanbul / Turkey 34876

Tax No: Yakacık – 7570020718



## United Kingdom

Phone: +44 7746 660211

Address: 17 Green Lanes London, UK, N16 9BS

CRN: 13525408