

# OMT-2100AR

ARM Quad-Core  
Embedded Computer

## Features

- High-performance Freescale iMX6 (ARM Cortex-A9 Quad-core) computer @ 1Ghz
- Rich interfaces, supports USB, Gb Ethernet, RS232/RS485, I<sup>2</sup>C, GPIO
- On-board 4GB Flash (eMMC)
- Light weight aluminum enclosure
- OS: Android 4.2 / 4.4, Yocto
- 9V~36V wide range power input
- Over voltage protection (optional)
- Analog Video Input (optional)
- 3 models are available:
  - ✓ OMT-2100AR: NO LCD
  - ✓ OMT-2107AR: 7-inch LCD with touch screen
  - ✓ OMT-2110AR: 10.1-inch LCD with touch screen



## ● Typical Applications:

- HMI
- Digital Signage
- Thin Client
- IoT (Internet of Things) Gateway

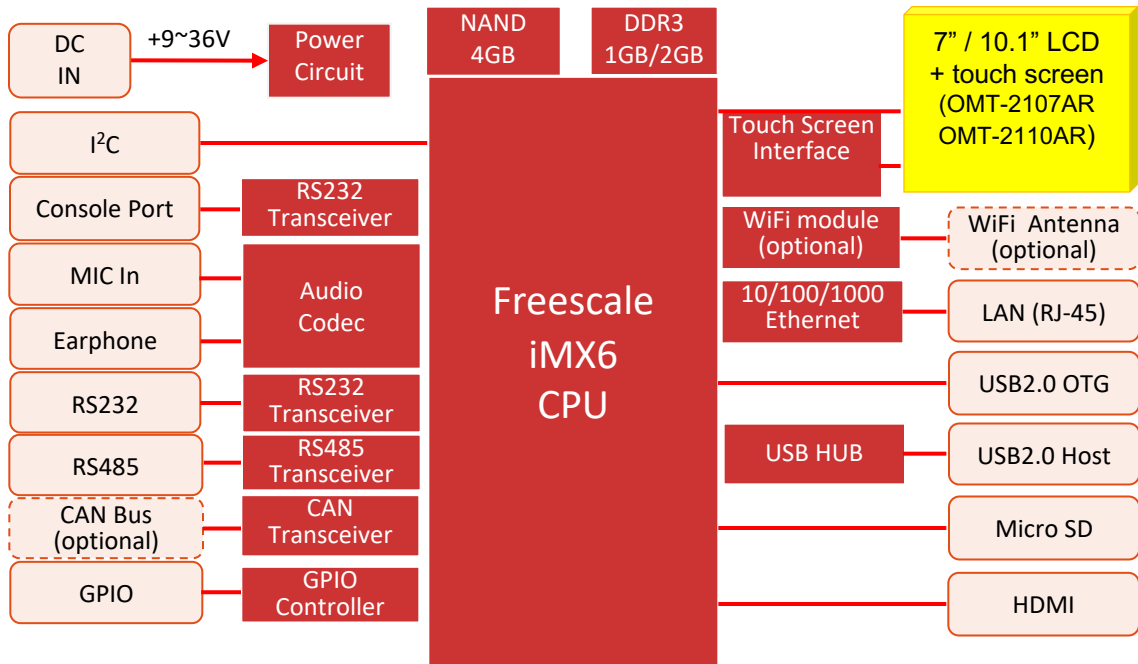


# OMT-2100AR

ARM Quad-Core  
Embedded Computer



## OMT-2100AR/OMT-2107AR/OMT-2110AR Block Diagram



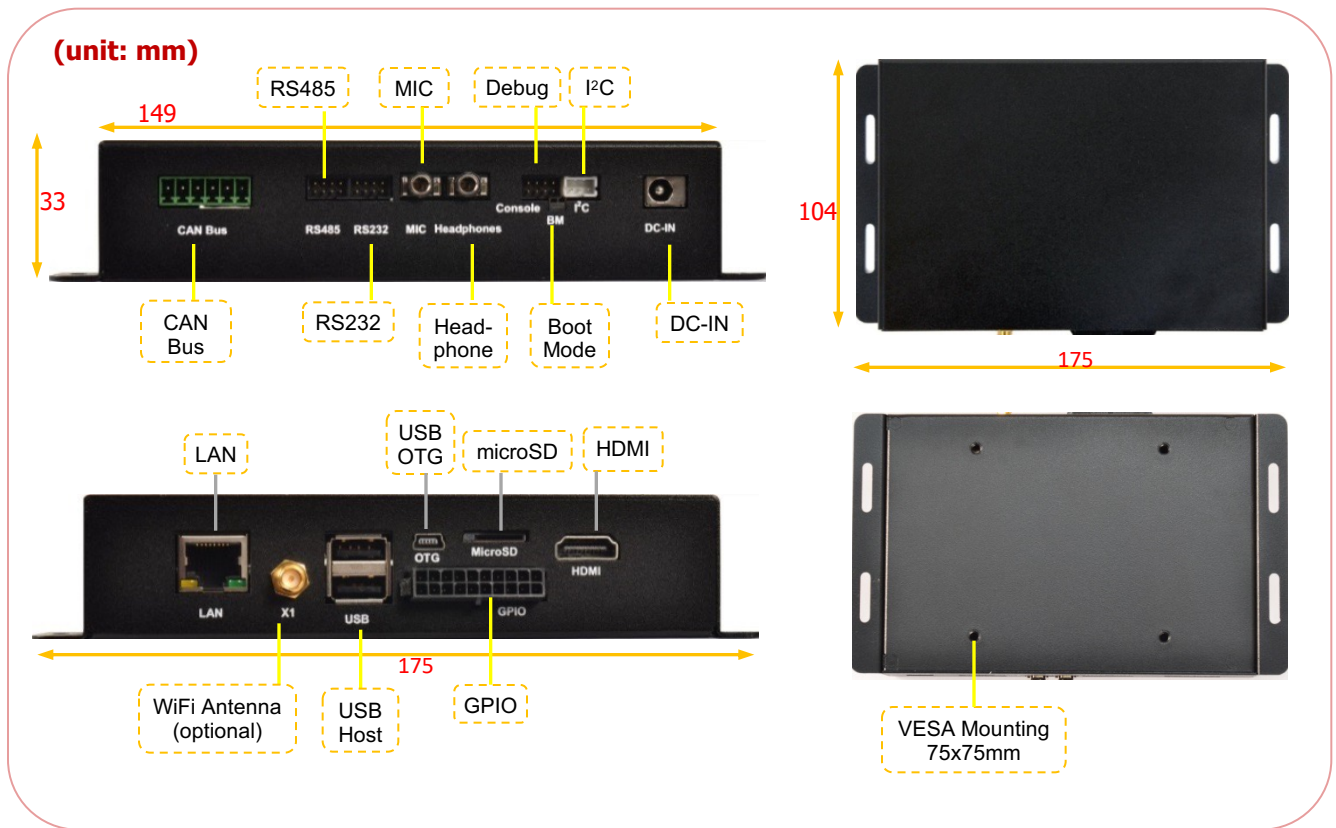
One Minute  
TECHNOLOGY  
萬分科技有限公司

[www.oneminute.com.tw](http://www.oneminute.com.tw)  
[info@oneminute.com.tw](mailto:info@oneminute.com.tw)

# OMT-2100AR

Embedded Computer

## OMT-2100AR Dimension and I/O interfaces:



## OMT-2100AR Specifications and Ordering Information:

Part No.	OS	CPU	RAM	CAN Bus	GPIO	Voltage Protection	Common Specifications	Dimension & Weight
OMT-2100AR-QY	Yocto	iMX6Q Quad-Core	2GB DDR3	NO	8-bit	NO	4GB NAND Flash, HDMI output x 1 Audio (MIC, Ear-Phone) 10/100/1000 LAN x1 USB Host x2 / USB OTG x1 RS232 x1/ RS485 x1, MicroSD x1 / I2C port x1 Power adapter (+12V) Operating: -20 °C to +70 °C	Dimension: 175 x 104 x 33 mm  Weight: 280 g
OMT-2100AR-QA	Android			YES	16-bit	YES		
OMT-2100AR-QY-V	Yocto			NO	8-bit	NO		
OMT-2100AR-QA-V	Android			YES	16-bit	YES		
OMT-2100AR-DY	Yocto	iMX6D Dual-Core	1GB DDR3	NO	8-bit	NO		
OMT-2100AR-DA	Android			YES	16-bit	YES		
OMT-2100AR-DY-V	Yocto			NO	8-bit	NO		
OMT-2100AR-DA-V	Android			YES	16-bit	YES		

## EC2100AR Optional Modules:

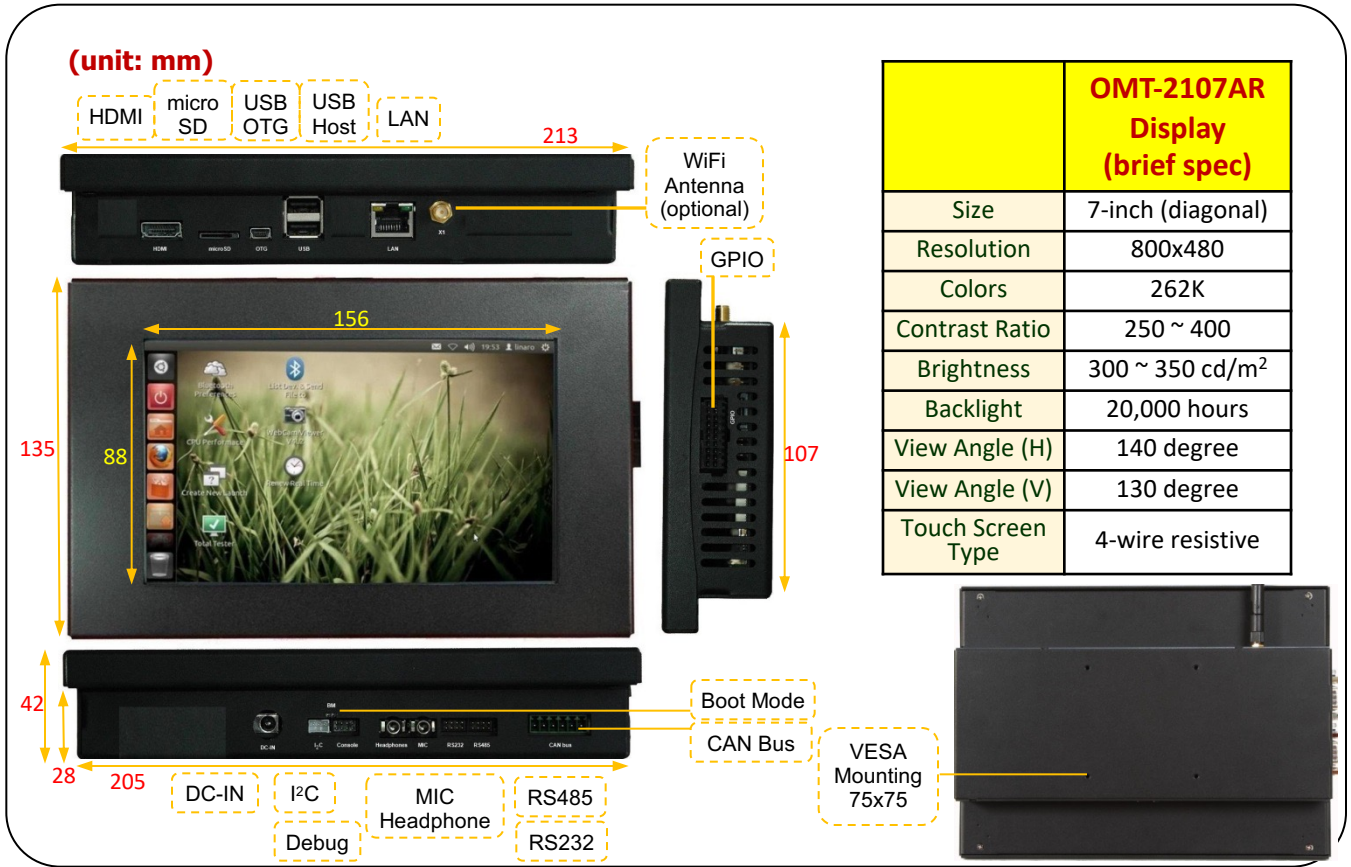
Part No.	Description
WLS-006	(BL-8723 WiFi + BT) + Antenna (8cm/2dBi, SMA plug reverse)

Note: Specifications are subject to change without notice

# OMT-2107AR

7-inch Touch Screen LED

## OMT-2107AR Dimension and I/O interfaces:



## Specifications and Ordering Information:

Part No.	OS	CPU	RAM	CAN Bus	GPIO	Voltage Protection	Common Specification	Dimension & Weight	
OMT-2107AR-QYR	Yocto	iMX6Q Quad-Core	2GB DDR3	NO	8-bit	NO	4GB NAND Flash, HDMI output x 1 Audio (MIC, Ear-Phone) 10/100/1000 LAN x1 USB Host x2 / USB OTG x1 RS232 x1/ RS485 x1, MicroSD x1 / I2C port x1 Power adapter (+12V) Operating: -20 °C to +70 °C	Dimension: 213 x 135 x 42 mm (*1)	
OMT-2107AR-QAR	Android			YES	16-bit	YES			
OMT-2107AR-QYR-V	Yocto			NO	8-bit	NO			
OMT-2107AR-QAR-V	Android			YES	16-bit	YES			
OMT-2107AR-DYR	Yocto	iMX6D Dual-Core	1GB DDR3	NO	8-bit	NO			Weight: 650 g
OMT-2107AR-DAR	Android			YES	16-bit	YES			
OMT-2107AR-DYR-V	Yocto								
OMT-2107AR-DAR-V	Android								

## Optional Modules:

(\*1) Not including antennas

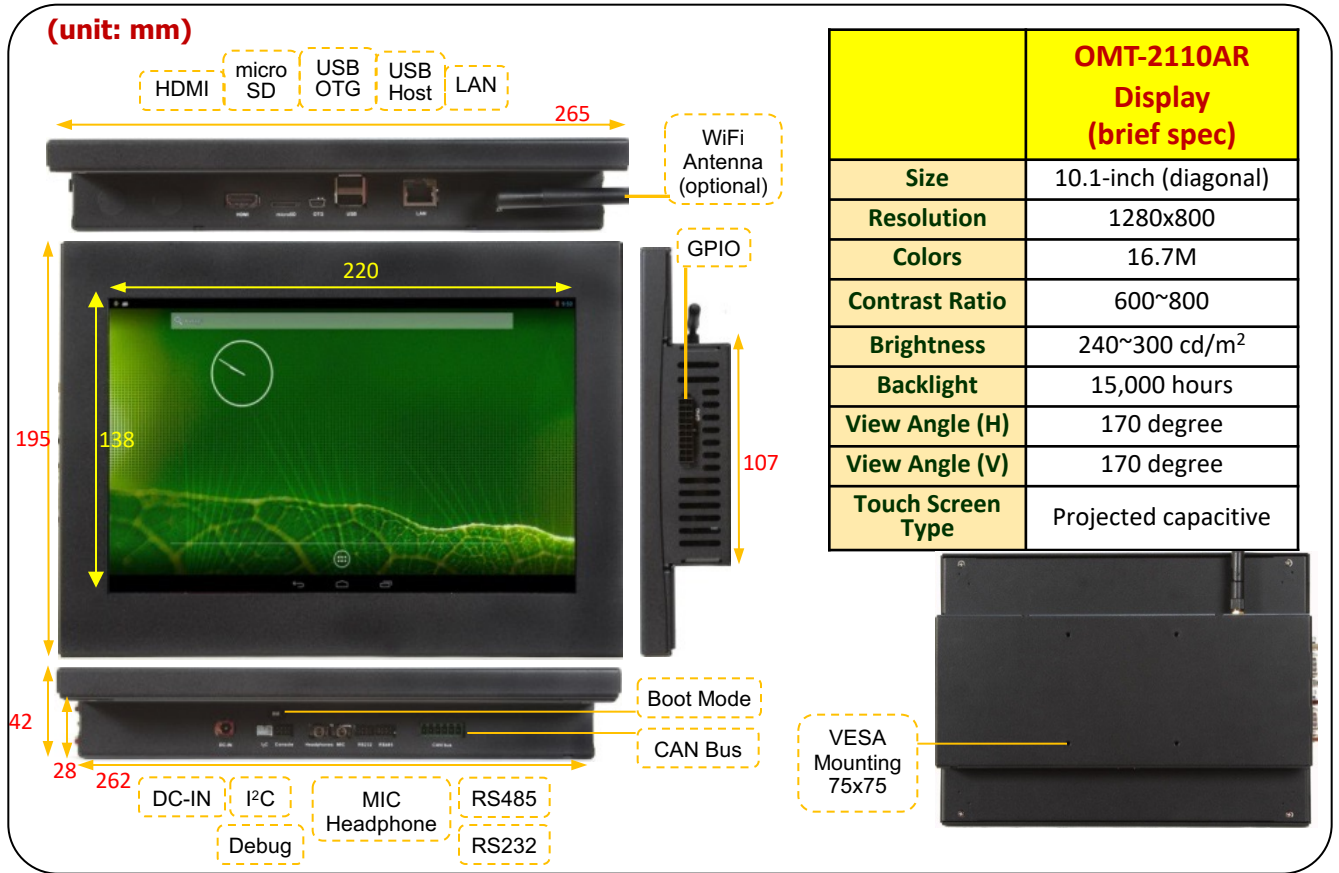
Part No.	Description
WLS-006	(BL-8723 WiFi + BT) + Antenna (8cm/2dBi, SMA plug reverse)
D100	4-ch Video capture (NTSC/PAL) module
D120	4xCOM port module (4 x RS232/RS422 module)

Note: Specifications are subject to change without notice



# OMT-2110AR *10.1-inch Touch Screen LCD*

## OMT-2110AR Dimension and I/O interfaces:



## Specifications and Ordering Information

Part No.	OS	CPU	RAM	CAN Bus	GPIO	Voltage Protection	Common Specifications	Dimension & Weight		
OMT-2110AR-QYC	Yocto	iMX6Q Quad-Core	2GB DDR3	NO	8-bit	NO	4GB NAND Flash, HDMI output x 1 Audio (MIC, Ear-Phone) 10/100/1000 LAN x1 USB Host x2 / USB OTG x1 RS232 x1/ RS485 x1, MicroSD x1 / I2C port x1 Power adapter (+12V) Operating: +0 °C to +50 °C	Dimension: 265 x 195 x 42 mm (*1)  Weight: 970 g		
OMT-2110AR-QAC	Android			YES	16-bit	YES				
OMT-2110AR-QYC-V	Yocto			NO	8-bit	NO				
OMT-2110AR-QAC-V	Android			YES	16-bit	YES				
OMT-2110AR-DYC	Yocto	iMX6D Dual-Core	1GB DDR3	NO	8-bit	NO				
OMT-2110AR-DAC	Android			YES	16-bit	YES				
OMT-2110AR-DYC-V	Yocto			NO	8-bit	NO				
OMT-2110AR-DAC-V	Android			YES	16-bit	YES				

## Optional Modules:

(\*1) Not including antennas

Part No.	Description
WLS-006	(BL-8723 WiFi + BT) + Antenna (8cm/2dBi, SMA plug reverse)
D100	4-ch Video capture (NTSC/PAL) module
D120	4xCOM port module (4 x RS232/RS422 module)

Note: Specifications are subject to change without notice

# Contact



Our headquarters office is located in Taipei, Taiwan which is also known as Silicon Valley of world as well as establishing an office located in San Jose, USA. One Minute Technology also has offices in China and Turkey to provide the best support to local as well as global customers.

## ■ Taiwan

Phone: +886 989 475 595

Address: 4F., No. 17, Ln. 25, Wenhua St., Shulin Dist., New Taipei City 238, Taiwan (R.O.C.)

Tax No: 85077373

## ■ Turkey

Phone: +90 535 540 89 29

Address: Cumhuriyet Mah. Kartal Cad. No.65 Kat.3 Kartal, Istanbul / Turkey 34876

Tax No: Yakacık – 7570020718

## ■ United Kingdom

Phone: +44 7746 660211

Address: 17 Green Lanes London, UK, N16 9BS

CRN: 13525408